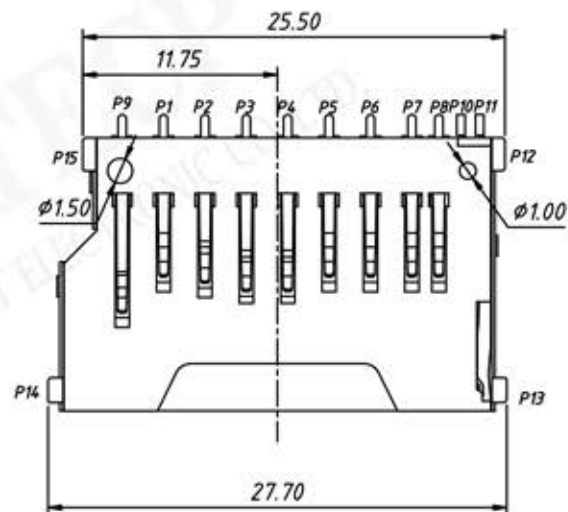
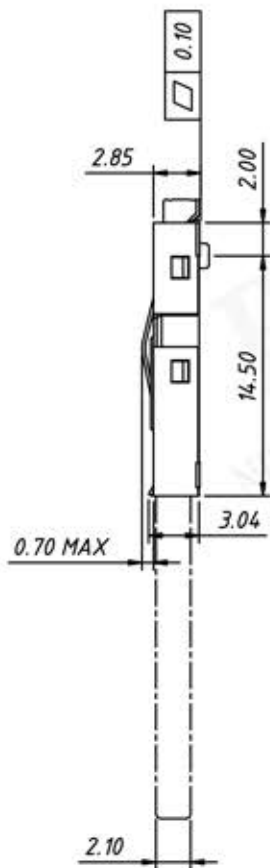
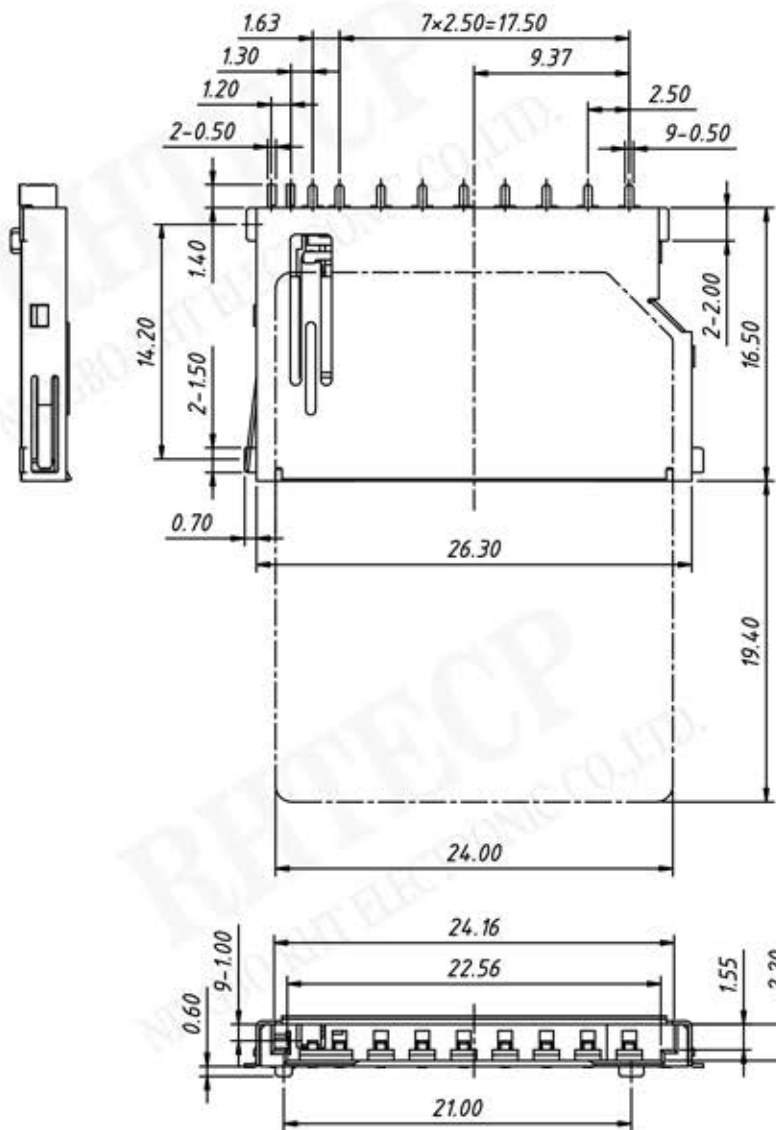
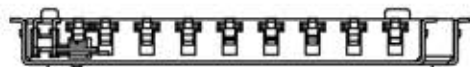


P/N: RE-C-SD002



WITHOUT ACRD		CARD INSERTED-LOCK		CARD INSERTED-UNLOCK	
W/P	GND	W/P	GND	W/P	GND
C/D	VSS1	C/D	VSS1	C/D	VSS1

RHTECP NINGBO RHT ELECTRONIC CO.,LTD

UNITS:mm

SHEET SIZE:A4

SCALE: ---

First angle projection

> 0 ~ 3

> 3 ~ 18

> 18 ~ 50

> 50 ~ 120

± 0.12

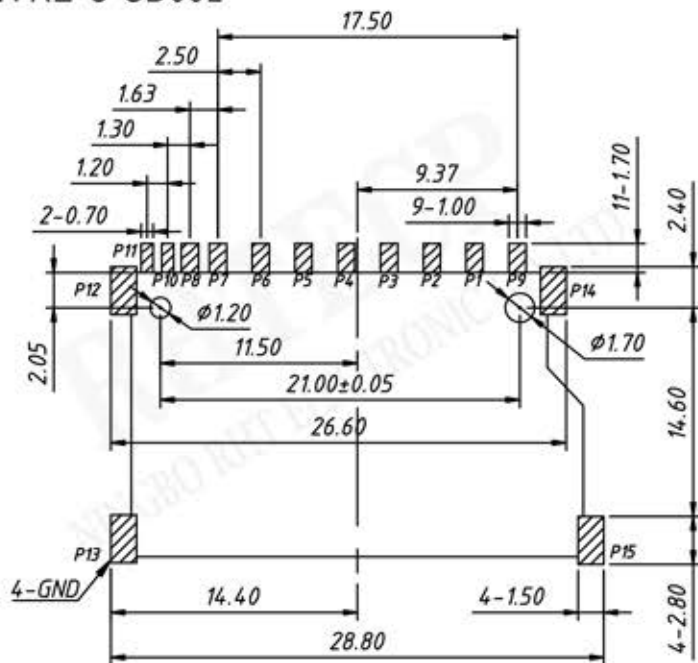
± 0.15

± 0.3

± 0.5

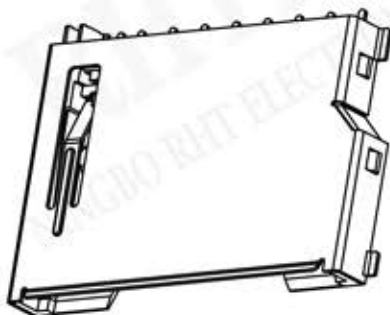
CONNECTOR

P/N: RE-C-SD002



RECOMMEND PCB LAYOUT

TOLERANCE:±0.05



PIN NO.	NAME
1	CD/DAT3
2	CND
3	VSS1
4	VDD
5	CLK
6	VSS2
7	DAT0
8	DAT1
9	DAT2
10	CD
11	WO
12~15	GND

Material:

Housing:LCP,UL 94V-0.Black.

Terminal:C5191R-EH T=0.20,Contact G/F,Ni 40u" min,Soldering Tin 80u

WP Pin:C5191R-EH T=0.20,Contact G/F,Ni 40u" min,Soldering Tin 80u

CD Pin:C5191R-EH T=0.20,Contact G/F,Ni 40u" min,Soldering Tin 80u

Shell:C2680-H,T=0.20,NI 40u" min.

Electrical:

Contact Current Rating:0.5Amperes.

Dielectric Withstanding Voltage:AC500V rms.

Insulation Resistance:1000MΩ Min.

Contact Resistance:100mΩ Max.

Operating Temperature:-20°C TO +85°C

Mating Cycles:10000 Cycles.

Contact Insertion force:1.00KGF Maximum.

Contact separation force:0.15KGF Maximum.